

LONG POINT TREE SWALLOW NEST BOX: Measurements in INCHES

The following pages describe how to build swallow box we use at Salmon Creek. It can be seen in many photos on www.treeswallowprojects.com. It's a modification of a design we saw at the Long Point Bird Observatory in Ontario, Canada. We hope they don't object to our use of their name.

Our Long Point Boxes are made from 1/2" thick exterior-grade plywood. Thinner plywood is weaker and hard to nail into, and interior-grade doesn't withstand the elements as well. Ten boxes can be produced from a single 4' x 8' sheet of plywood.

Long Point Boxes are a bit larger inside (5-1/2" x 6" floors) than Golondrinas Boxes (5" x 5" floors). This gives nestlings more room to spread out in hot weather, lets older nestlings defecate outside the nest cup, and allows more space for wing exercise prior to fledging.

Our version of the Long Point Box has no upper openings for ventilation and no floor openings for drainage. We believe that in most Tree Swallow breeding range there is more danger to nestlings from damp and chill than from overheating, so we make our boxes as weatherproof as possible by sealing seams, having ample roof overhangs, and adding weatherstripping around doors. (Weatherstrips are cut from thin pieces of wood, roughly 1/2" thick x 2-1/2" wide x 2' - 3' long, available in hardware stores). These provisions make our boxes snug and dry for nestlings, and may also help incubating and brooding females maintain good body condition.

Long Point Boxes have "drop-down" doors rather than "lift-up" ones. This frees both hands when examining contents.

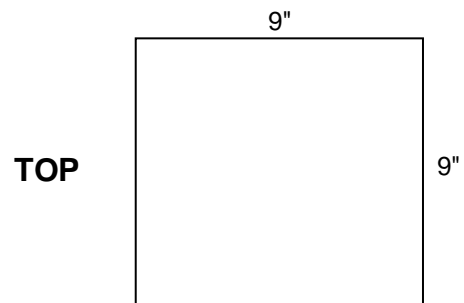
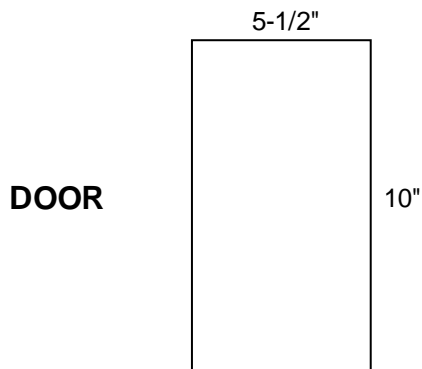
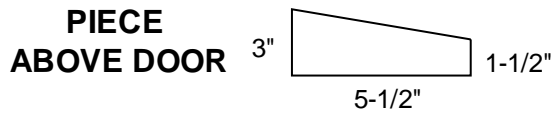
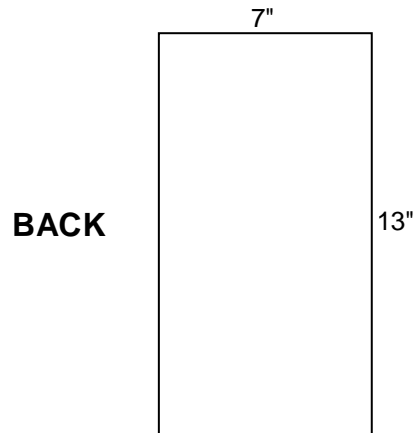
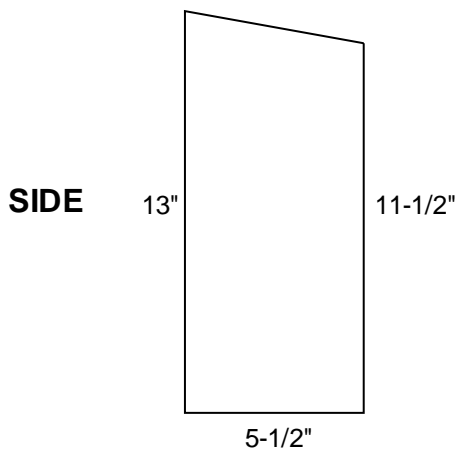
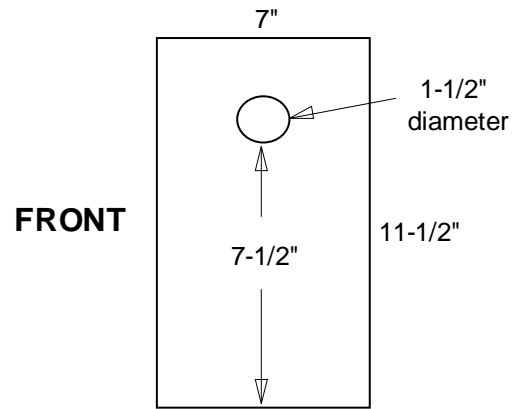
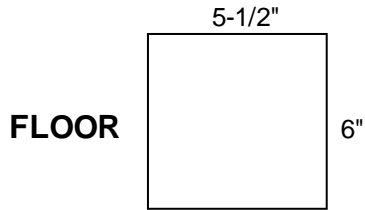
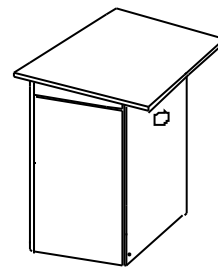
Here are some construction suggestions:

- Use a power saw. Plywood is hard to cut with a hand saw.
- 1-1/2" galvanized "finish nails" work well for fastening box parts and for Hinge and Keeper Nails.
- Use a power drill to make small "pilot holes" before hammering nails in.
- Before nailing, put strips of Elmer's-type carpenter's glue along surfaces to be joined.
- Remove any nails that penetrate into the box interior. They could injury your birds.
- Use wood filler or glue to seal gaps in joints.
- Make gripping surfaces (scratches, kerfs, or cleats) on the inside of the Front before fastening the Front to the Side and Back.
- Be careful lining up Hinge Nails so the Door opens and closes smoothly.
- Make Keeper Nails hole deep enough so nails don't protrude obviously, but not so deep they're hard to extract.
- Consider adding backup Door fasteners, such as simple pivoting ones made of "Strap", so there's always a way to close Doors temporarily if Keeper Nails get lost.
- "Pipe Hangers" make good Door handles.
- Extend box life by treating exteriors only with a "solid-type" wood stain.

LONG POINT TREE SWALLOW BOX

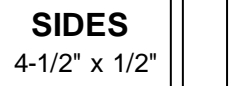
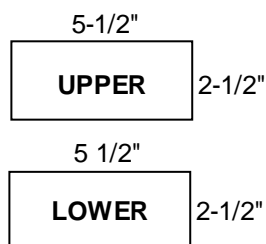
cut from
1/2" thick EXTERIOR GRADE PLYWOOD

Measurements in INCHES

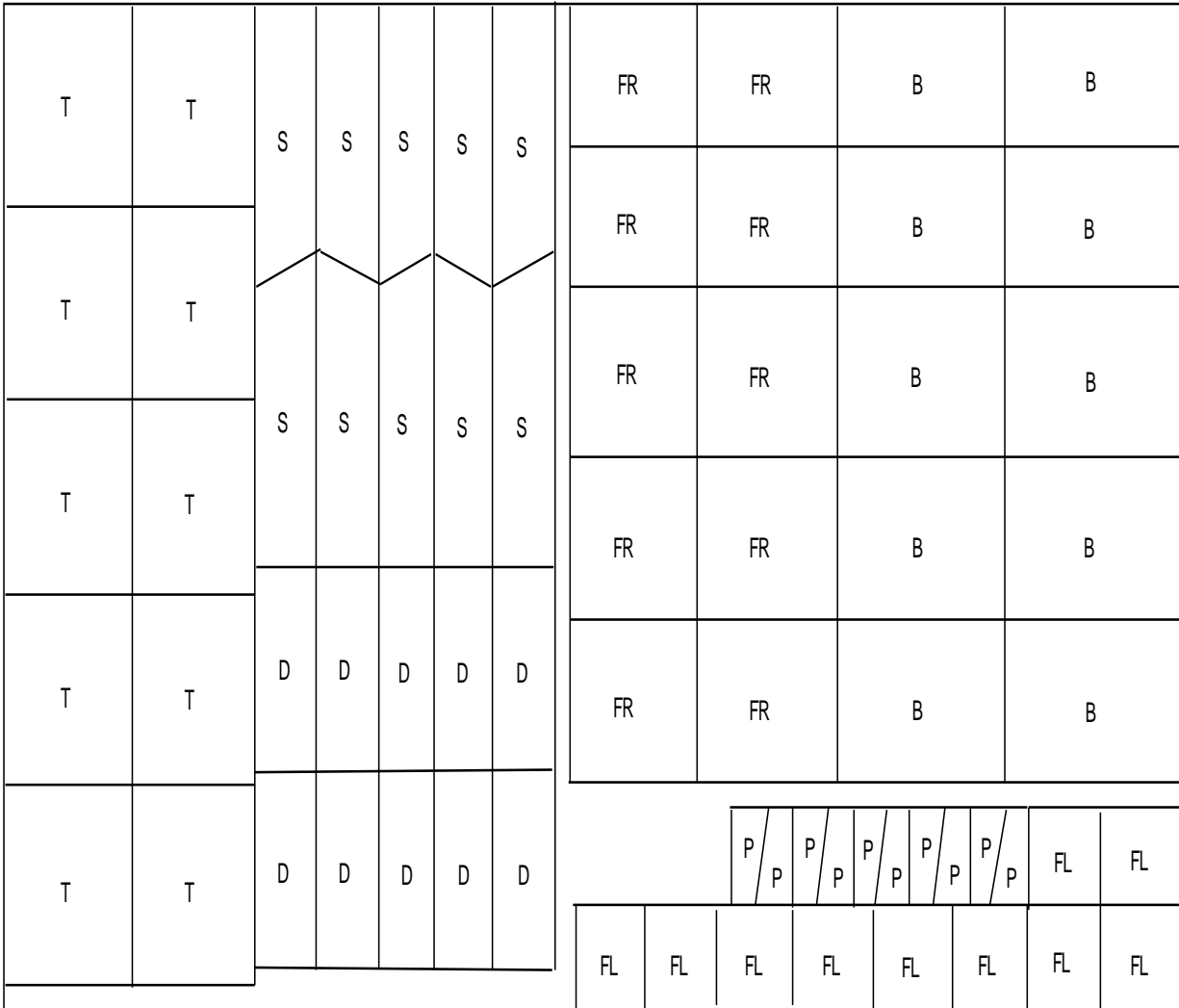


WEATHERSTRIPS
cut from

1/4" thick x 2 1/2" wide Wood Strips



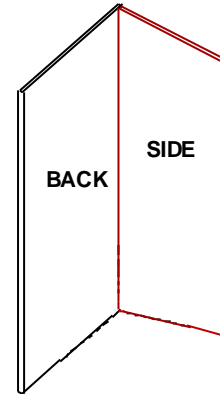
ONE WAY TO CUT 10 NEST BOXES FROM A 4' X 8' SHEET OF EXTERIOR PLYWOOD



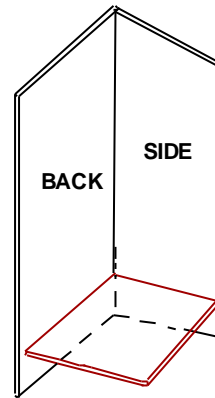
T = Top S = Side D = Door FR = Front B = Back FL = Floor P = Piece

NEST BOX ASSEMBLY

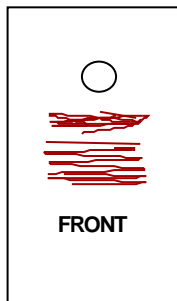
1. Attach **SIDE** to **BACK**, nailing through **Back** into **SIDE**.



2. Attach **FLOOR** to **BACK** and **SIDE**, recessing it at least 1" or 3.8 cm from bottom.

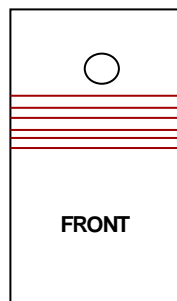


3. On the inner **FRONT** surface do **ONE** of the following:



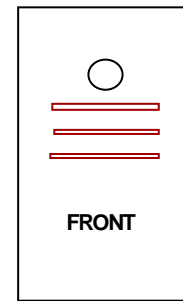
SCRATCH with a sharp nail

OR



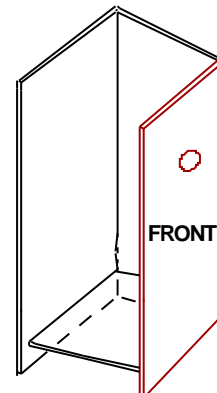
CUT "KERFS" with a saw

OR

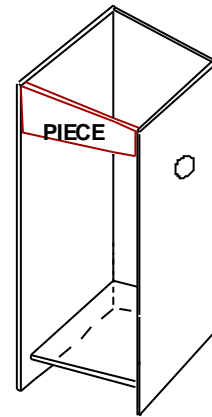


GLUE on CLEATS

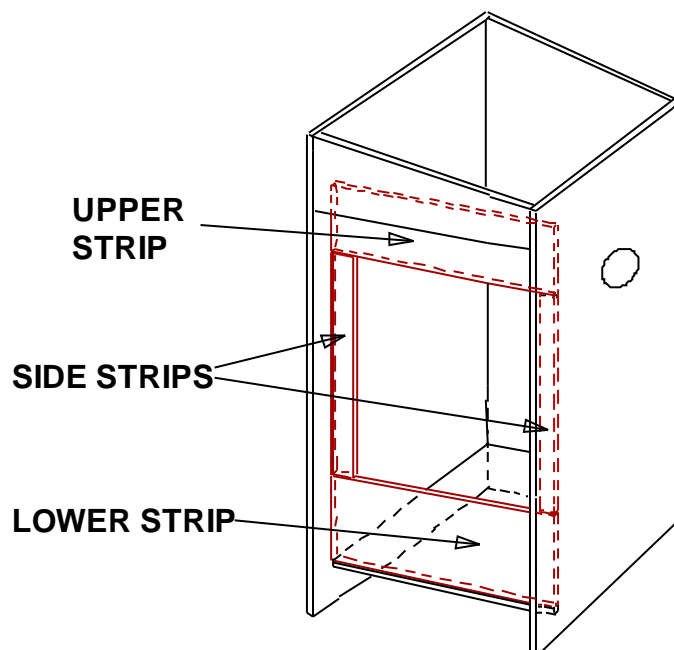
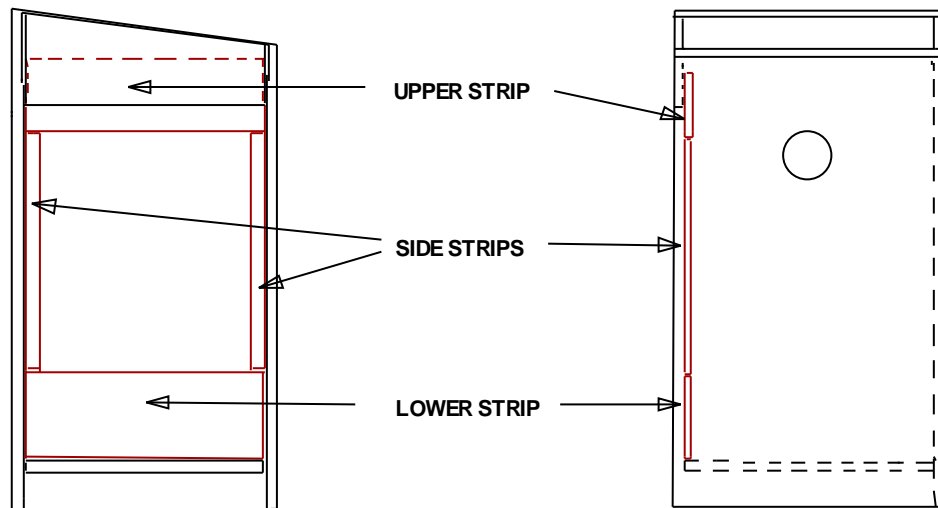
4. Attach **FRONT** to **SIDE** and **FLOOR**.



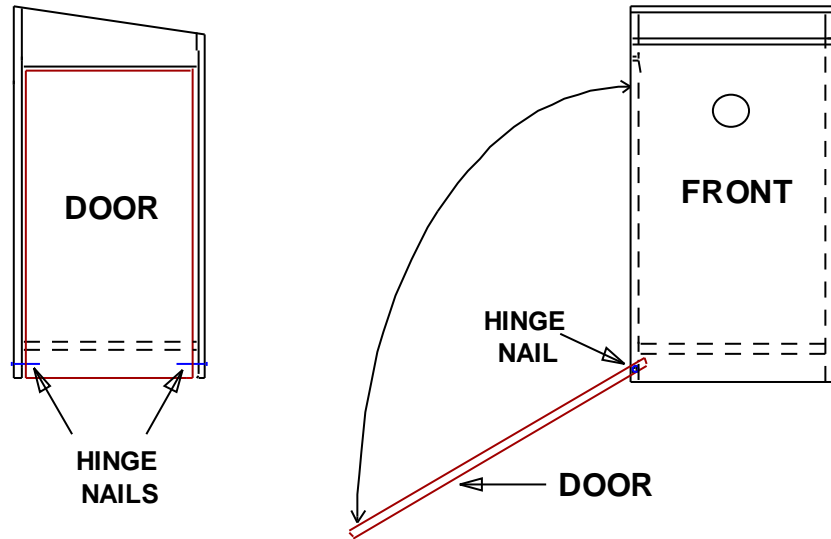
5. Attach small **PIECE** above **DOOR** space.



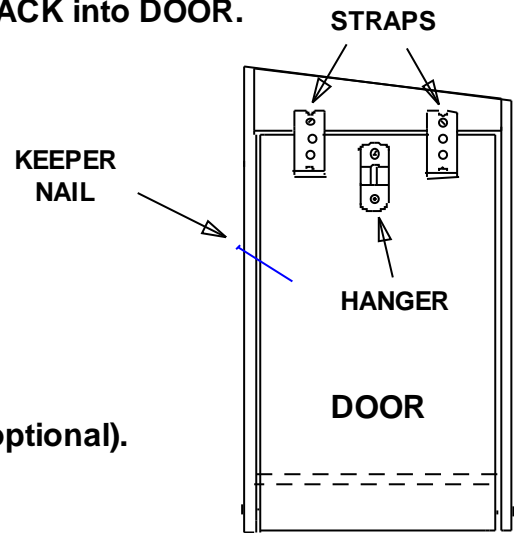
6. Glue **WEATHERSTRIPS** in place, recessed so **DOOR** has room to close. **UPPER STRIP** should be glued to back of **PIECE** above **DOOR**, with 1" showing. **LOWER STRIP** should be glued even with **FLOOR** front. **SIDE STRIPS** should be glued even with front of **UPPER** and **LOWER STRIPS**.



7. Attach DOOR using HINGE NAILS in predrilled holes, making sure HINGE NAILS are on the same line and perpendicular to box walls.



8. Drill slanted KEEPER NAIL hole through BACK into DOOR. Install KEEPER NAIL.



9. Add Strap Fasteners and Hanger Handle (optional).

10. Attach TOP.

